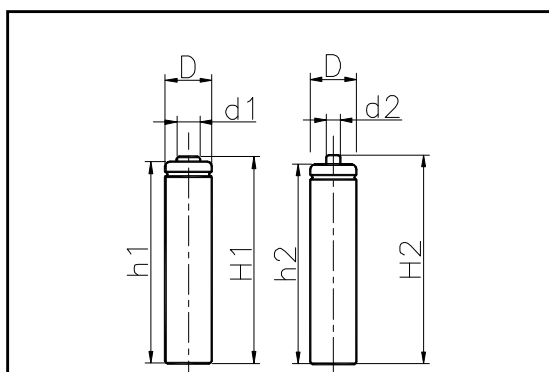


# JJJ Battery Co.,LTD.

**MODEL No:** J-AAA800E

**Description:** 800 mAh SIZE NI-MH AAA

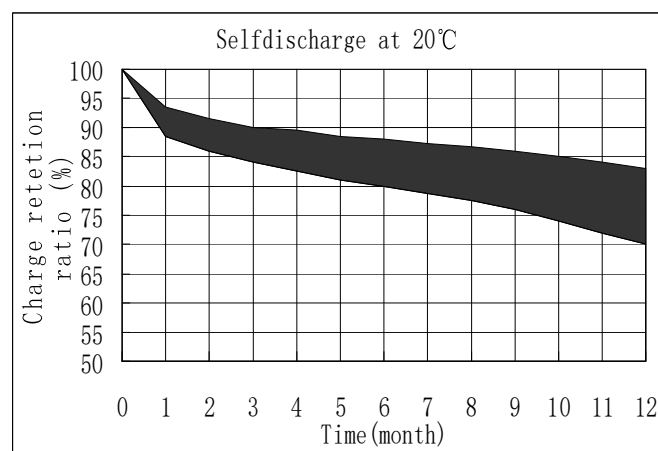
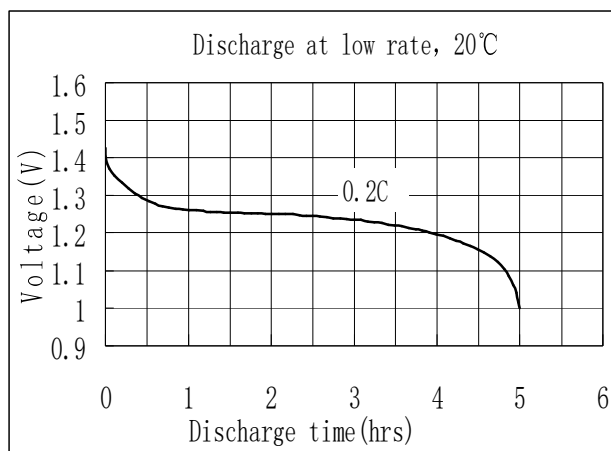
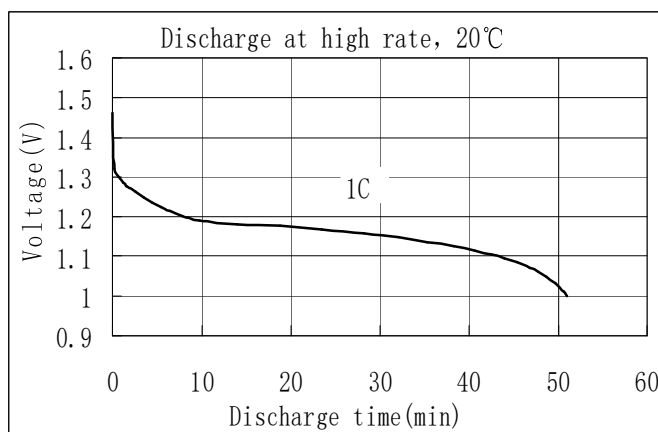
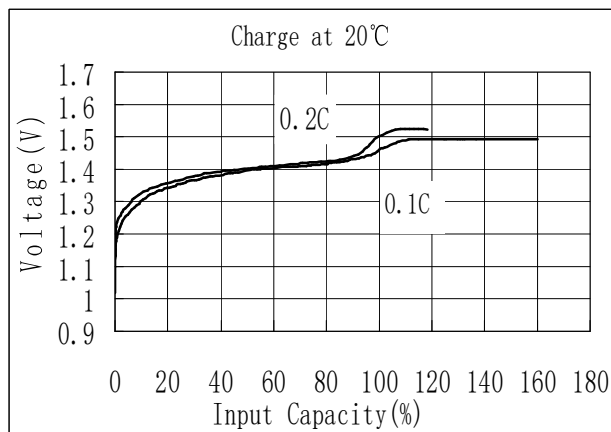


Dimensions(without Tube) (mm)

D	10.10±0.10		
d <sub>1</sub>	4.65±0.08	d <sub>2</sub>	3.70±0.08
H <sub>1</sub>	44.00±0.50	H <sub>2</sub>	44.00±0.50
h <sub>1</sub>	43.50±0.50	h <sub>2</sub>	42.50±0.50

## Specification

Nominal Capacity		800 mAh
Nominal Voltage		1.2 V
Charge current	Standard	80 mA
	Fast	160 mA
Charge time	Standard	16 Hrs
	Fast	6 Hrs
Ambient Temperature	Charge	Standard: 0°C~45°C Fast: 10°C~45°C
	Discharge	-20°C~60°C
	Storage	-20°C~35°C
Internal Impedance(mΩ) (After Charge)		≤ 40
Weight		13.0 g



JJJ reserves the right to alter or amend the design, model and specification without prior notice.

JIANGMEN JJJ BATTERY CO.,LTD.