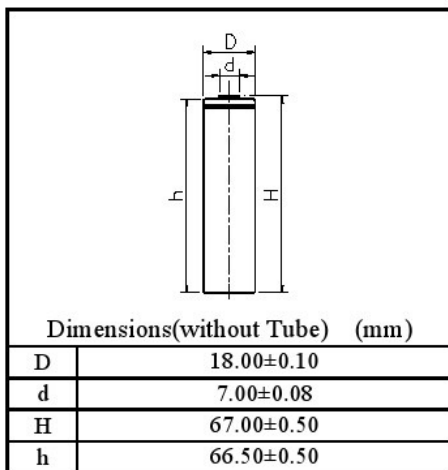


JJJ Battery Co.,LTD.

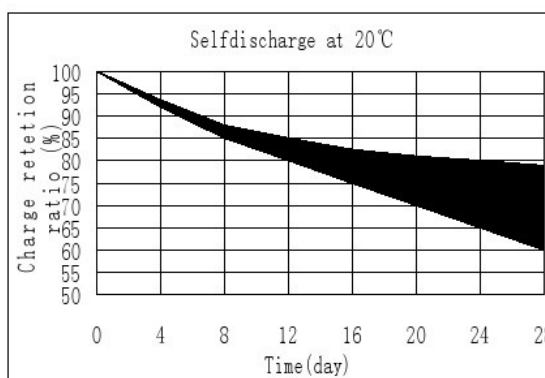
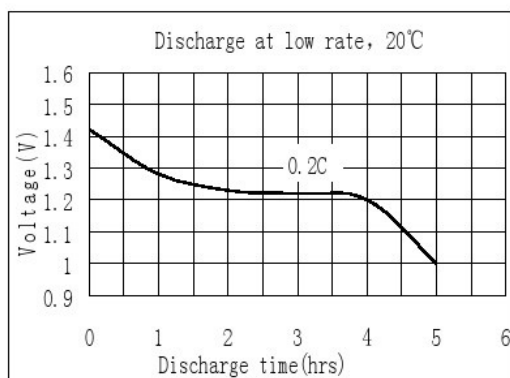
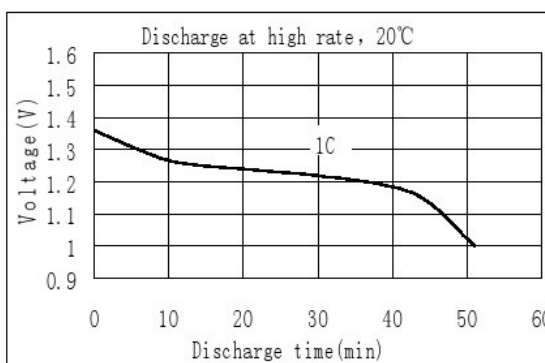
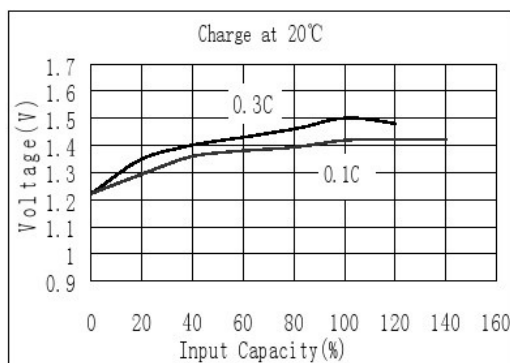
MODEL No: J-18670

Description: 4500 mAh SIZE NI-MH 18670



Specification

| | | |
|--|-----------|-------------------------------------|
| Nominal Capacity | | 4500 mAh |
| Nominal Voltage | | 1.2 V |
| Charge current | Standard | 450 mA |
| | Fast | 1350 mA |
| Charge time | Standard | 14~16 Hrs |
| | Fast | 4 Hrs |
| Ambient Temperature | Charge | Standard 0°C~45°C Fast 10°C~45°C |
| | Discharge | -20°C~60°C |
| | Storage | -20°C~55°C |
| Internal Impedance(mΩ) (After Charge) | | ≤ 20 |
| Weight | | 66.0 g |



JJJ reserves the right to alter or amend the design, model and specification without prior notice.

JIANGMEN JJJ BATTERY CO.,LTD.