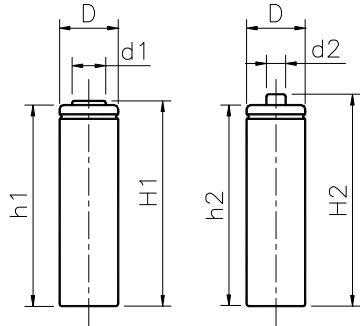


JJJ Battery Co.,LTD.

MODEL No: J-AA1800E

Description: 1800 mAh SIZE NI-MH AA

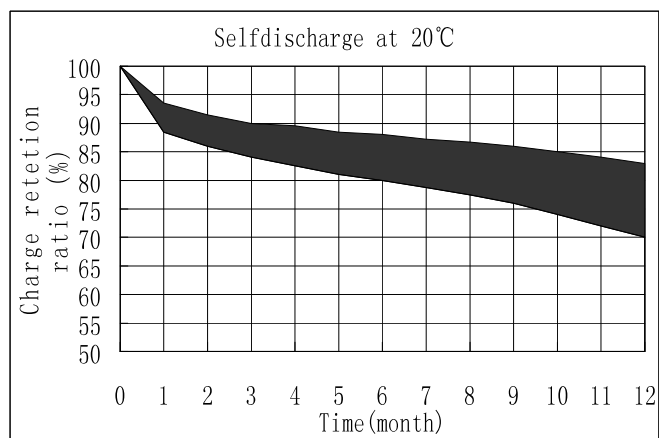
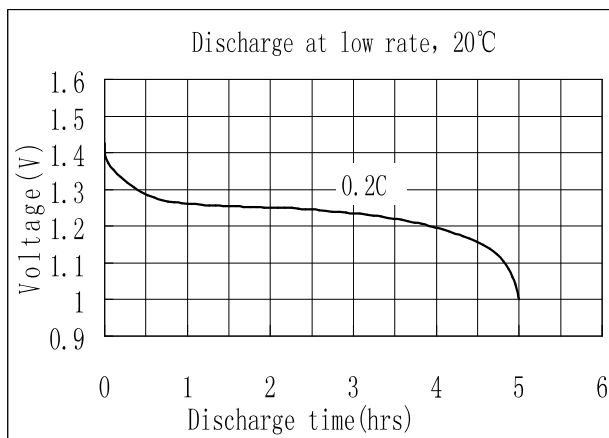
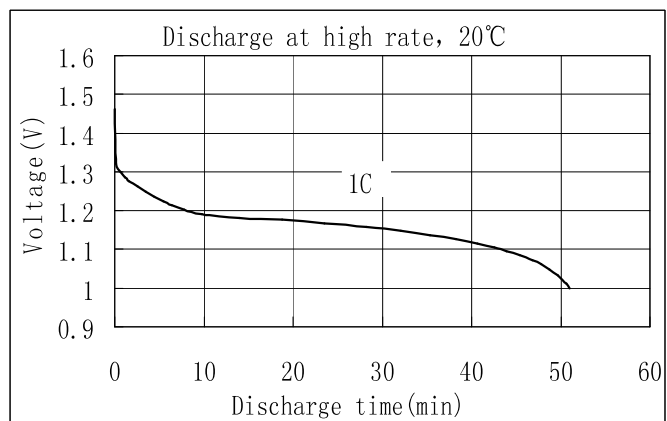
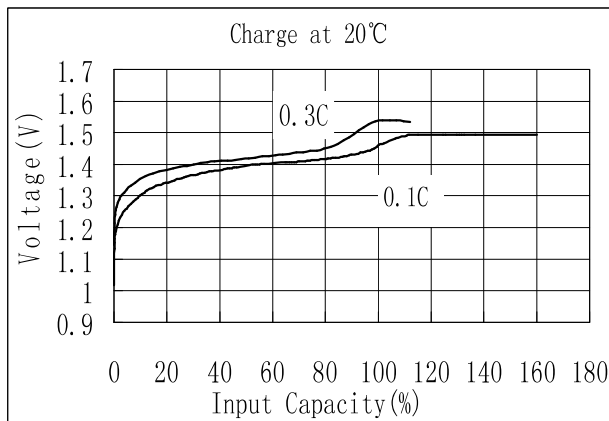


Dimensions(without Tube) (mm)

D	14.20±0.10		
d ₁	6.60±0.08	d ₂	4.80±0.08
H ₁	49.20±0.50	H ₂	50.00±0.50
h ₁	48.50±0.50	h ₂	48.50±0.50

Specification

Nominal Capacity		1800 mAh	
Nominal Voltage		1.2 V	
Charge current	Standard	180 mA	
	Fast	540 mA	
Charge time	Standard	16 Hrs	
	Fast	4 Hrs	
Ambient Temperature	Charge	Standard	0°C~45°C
		Fast	10°C~45°C
	Discharge		-20°C~60°C
Storage		-20°C~35°C	
Internal Impedance(mΩ) (After Charge)		≤ 28	
Weight		28.0 g	



JJJ reserves the right to alter or amend the design, model and specification without prior notice.

JIANGMEN JJJ BATTERY CO.,LTD.