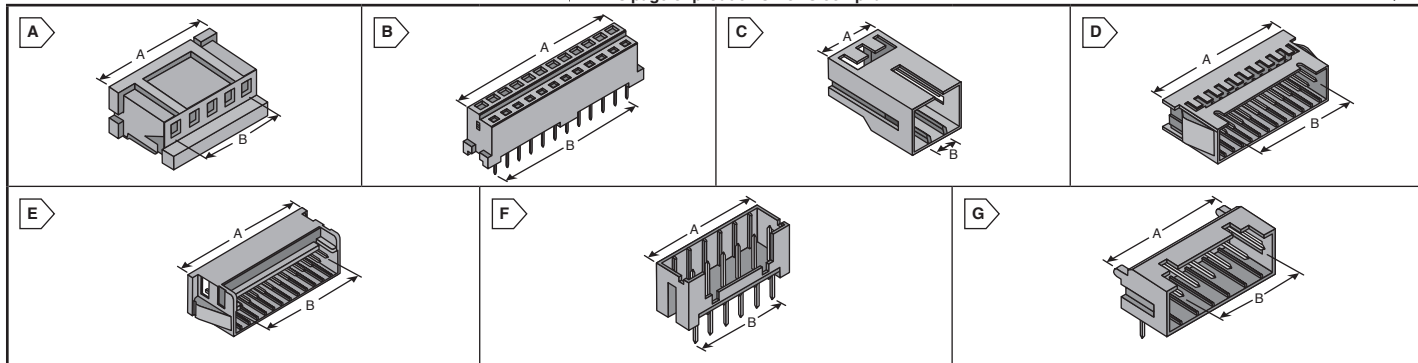


HIROSE 2.0mm for Discrete Wire Connections



HIROSE ELECTRIC CO., LTD.

This page of product is RoHS compliant.



DF3 SERIES SINGLE ROW CONNECTORS

Housings

For quantities greater than listed, call for quote.

MOUSER STOCK NO.	Hirose Part No.	Fig.	No. of Circuits	Dimensions		Price Each		
				A	B	1	10	100
Crimp Receptacle Housings								
798-DF3-2S-2C	DF3-2S-2C	A	2	6	2	.10	.06	.05
798-DF3-3S-2C	DF3-3S-2C	A	3	8	4	.11	.066	.055
798-DF3-4S-2C	DF3-4S-2C	A	4	10	6	.12	.072	.06
798-DF3-5S-2C	DF3-5S-2C	A	5	12	8	.16	.096	.08
798-DF3-6S-2C	DF3-6S-2C	A	6	14	10	.17	.102	.085
798-DF3-7S-2C	DF3-7S-2C	A	7	16	12	.19	.114	.095
798-DF3-8S-2C	DF3-8S-2C	A	8	18	14	.16	.112	.092
798-DF3-9S-2C	DF3-9S-2C	A	9	20	16	.17	.123	.101
798-DF3-10S-2C	DF3-10S-2C	A	10	22	18	.18	.129	.106
798-DF3-12S-2C	DF3-12S-2C	A	12	26	22	.20	.14	.115
798-DF3-14S-2C	DF3-14S-2C	A	14	30	26	.21	.151	.124
798-DF3-15S-2C	DF3-15S-2C	A	15	32	28	.22	.157	.129
PCB Receptacles - Vertical - Tin - Thru-Hole								
798-DF3-2S-2DSA25	DF3-2S-2DSA(25)	B	2	6	2	.70	.528	.462
798-DF3-3S-2DSA25	DF3-3S-2DSA(25)	B	3	8	4	.78	.621	.594
798-DF3-4S-2DSA25	DF3-4S-2DSA(25)	B	4	10	6	.86	.69	.66
798-DF3-5S-2DSA25	DF3-5S-2DSA(25)	B	5	12	8	.98	.782	.748
798-DF3-6S-2DSA25	DF3-6S-2DSA(25)	B	6	14	10	1.07	.851	.814
798-DF3-7S-2DSA25	DF3-7S-2DSA(25)	B	7	16	12	1.18	.943	.902
798-DF3-8S-2DSA25	DF3-8S-2DSA(25)	B	8	18	14	1.27	1.01	.968
798-DF3-9S-2DSA25	DF3-9S-2DSA(25)	B	9	20	16	1.34	1.10	1.05
798-DF3-10S-2DSA25	DF3-10S-2DSA(25)	B	10	22	18	1.42	1.16	1.11
PCB Receptacles - Vertical - Gold - Thru-Hole								
798-DF3-2S-2DSA55	DF3-2S-2DSA(55)	B	2	6	2	.78	.621	.594
798-DF3-3S-2DSA55	DF3-3S-2DSA(55)	B	3	8	4	.98	.782	.748
798-DF3-4S-2DSA55	DF3-4S-2DSA(55)	B	4	10	6	1.13	.897	.858
798-DF3-5S-2DSA55	DF3-5S-2DSA(55)	B	5	12	8	1.30	1.03	.99
798-DF3-6S-2DSA55	DF3-6S-2DSA(55)	B	6	14	10	1.37	1.12	1.07
798-DF3-7S-2DSA55	DF3-7S-2DSA(55)	B	7	16	12	1.56	1.27	1.21
798-DF3-8S-2DSA55	DF3-8S-2DSA(55)	B	8	18	14	1.67	1.36	1.30
798-DF3-10S-2DSA55	DF3-10S-2DSA(55)	B	10	22	18	2.04	1.67	1.59
Crimp Plug Housings								
798-DF3-2EP-2C	DF3-2EP-2C	C	2	6	2	.23	.162	.133
798-DF3-3EP-2C	DF3-3EP-2C	C	3	8	4	.26	.182	.149
798-DF3-4EP-2C	DF3-4EP-2C	C	4	10	6	.26	.187	.158
798-DF3-5EP-2C	DF3-5EP-2C	C	5	12	8	.29	.205	.174
798-DF3-6EP-2C	DF3-6EP-2C	C	6	14	10	.31	.221	.187
798-DF3-7EP-2C	DF3-7EP-2C	C	7	16	12	.35	.25	.211
798-DF3-8EP-2C	DF3-8EP-2C	C	8	18	14	.38	.268	.227
Crimp Plug Housings - Panel Locks								
798-DF3AA-2EP-2C	DF3AA-2EP-2C	D	2	11	2	.27	.19	.156
798-DF3AA-3EP-2C	DF3AA-3EP-2C	D	3	13	4	.29	.203	.172
798-DF3AA-4EP-2C	DF3AA-4EP-2C	D	4	15	6	.31	.221	.187
798-DF3AA-5EP-2C	DF3AA-5EP-2C	D	5	17	8	.34	.242	.205
798-DF3AA-6EP-2C	DF3AA-6EP-2C	D	6	19	10	.37	.263	.222
798-DF3AA-7EP-2C	DF3AA-7EP-2C	D	7	21	12	.40	.283	.24
798-DF3AA-8EP-2C	DF3AA-8EP-2C	D	8	23	14	.43	.302	.255
798-DF3AA-9EP-2C	DF3AA-9EP-2C	D	9	25	16	.46	.322	.273
798-DF3AA-10EP-2C	DF3AA-10EP-2C	D	10	27	18	.41	.314	.275
798-DF3AA-11EP-2C	DF3AA-11EP-2C	D	11	29	20	.44	.334	.292
798-DF3AA-12EP-2C	DF3AA-12EP-2C	D	12	31	22	.47	.355	.311
798-DF3AA-13EP-2C	DF3AA-13EP-2C	D	13	33	24	.49	.372	.325
798-DF3AA-14EP-2C	DF3AA-14EP-2C	D	14	35	26	.51	.389	.34
798-DF3AA-15EP-2C	DF3AA-15EP-2C	D	15	37	28	.54	.41	.359
Adapters - Male-Male - Panel Locks								
798-DF3-2EP-2A	DF3-2EP-2A	E	2	11	2	.61	.461	.403
798-DF3-3EP-2A	DF3-3EP-2A	E	3	13	4	.66	.504	.441
798-DF3-4EP-2A	DF3-4EP-2A	E	4	15	6	.76	.576	.504
798-DF3-5EP-2A	DF3-5EP-2A	E	5	17	8	.75	.598	.572
798-DF3-15EP-2A	DF3-15EP-2A	E	15	37	28	1.42	1.12	1.07

Crimp Contacts

For quantities greater than listed, call for quote.

MOUSER STOCK NO.	Hirose Part No.	Plating	AWG	Price Each		
				1	10	100
Female						
798-DF3-2428SCC	DF3-2428SCC	Gold	24-28	.18	.126	.103
798-DF3-22SC	DF3-22SC	Tin	22	.13	.078	.065
798-DF3-2428SC	DF3-2428SC	Tin	24-28	.12	.075	.063
Male						
798-DF3-EP2428PCA	DF3-EP2428PCA	Gold	24-28	.35	.247	.209
798-DF3-EP2428PC	DF3-EP2428PC	Tin	24-28	.16	.099	.083
Crimp Contacts (Reels)						
MOUSER STOCK NO.	Hirose Part No.	Plating	AWG	Reel Qty.	Price Each	
Female						
798-DF3-22SCFC	DF3-22SCFC	Gold	22	10000	.14	
798-DF3-2428SCFC	DF3-2428SCFC	Gold	24-28	10000	.15	
798-DF3-22SCF	DF3-22SCF	Tin	22	10000	.10	
798-DF3-2428SCF	DF3-2428SCF	Tin	24-28	10000	.10	
Male						
798-DF3-EP2428PCFA	DF3-EP2428PCFA	Gold	24-28	10000	.18	
798-DF3-EP2428PCF	DF3-EP2428PCF	Tin	24-28	10000	.10	

Tooling

For quantities greater than listed, call for quote.

MOUSER STOCK NO.	Hirose Part No.	Description	Price Each
798-DF3TA2428HC	DF3-TA2428HC	Hand Tool with Die 24-28AWG Fem	730.46
798-DF3-TA22HC	DF3-TA22HC	Hand Tool 22AWG Fem	933.73
798DF3EP-TA2428HC	DF3EP-TA2428HC	Hand Tool 24-28AWG Male	862.69

Headers

For quantities greater than listed, call for quote.

MOUSER STOCK NO.	Hirose Part No.	Fig.	No. of Circuits	Dimensions		Price Each		
				A	B	1	10	100
Vertical - Tin - Thru-hole								
798-DF3A-2P-2DSA	DF3A-2P-2DSA	F	2	6	2	.17	.102	.085
798-DF3A-3P-2DSA	DF3A-3P-2DSA	F	3	8	4	.20	.115	.094
798-DF3A-4P-2DSA	DF3A-4P-2DSA	F	4	10	6	.20	.14	.115
798-DF3A-5P-2DSA	DF3A-5P-2DSA	F	5	12	8	.25	.179	.147
798-DF3A-6P-2DSA	DF3A-6P-2DSA	F	6	14	10	.26	.182	.154
798-DF3A-7P-2DSA	DF3A-7P-2DSA	F	7	16	12	.31	.218	.185
798-DF3A-8P-2DSA	DF3A-8P-2DSA	F	8	18	14	.34	.242	.205
798-DF3A-9P-2DSA	DF3A-9P-2DSA	F	9	20	16	.37	.263	.222
798-DF3A-10P-2DSA	DF3A-10P-2DSA	F	10	22	18	.39	.273	.231
798-DF3A-12P-2DSA	DF3A-12P-2DSA	F	12	26	22	.42	.296	.251
798-DF3A-13P-2DSA	DF3A-13P-2DSA	F	13	28	24	.43	.307	.26
798-DF3A-14P-2DSA	DF3A-14P-2DSA	F	14	30	26	.45	.32	.271
798-DF3A-15P-2DSA	DF3A-15P-2DSA	F	15	32	28	.47	.33	.279
Vertical - Gold - Thru Hole								
798-DF3-2P-2DSA01	DF3-2P-2DSA(01)	F	2	6	2	.39	.276	.233
798-DF3-6P-2DSA01	DF3-6P-2DSA(01)	F	6	14	10	.70	.528	.462
Right Angle - Tin - Thru Hole								
798-DF3A-2P-2DS	DF3A-2P-2DS	G	2	6	2	.19	.117	.098
798-DF3A-3P-2DS	DF3A-3P-2DS	G	3	8	4	.19	.134	.11
798-DF3A-4P-2DS	DF3A-4P-2DS	G	4	10	6	.22	.157	.129
798-DF3A-5P-2DS	DF3A-5P-2DS	G	5	12	8	.27	.19	.161
798-DF3A-6P-2DS	DF3A-6P-2DS	G	6	14	10	.29	.203	.172
798-DF3A-7P-2DS	DF3A-7P-2DS	G	7	16	12	.30	.216	.183
798-DF3A-8P-2DS	DF3A-8P-2DS	G	8	18	14	.40	.286	.242
798-DF3A-9P-2DS	DF3A-9P-2DS	G	9	20	16	.44	.312	.264
798-DF3A-10P-2DS	DF3A-10P-2DS	G	10	22	18	.46	.322	.273
798-DF3A-11P-2DS	DF3A-11P-2DS	G	11	24	20	.48	.335	.284
798-DF3A-12P-2DS	DF3A-12P-2DS	G	12	26	22	.43	.324	.283
798-DF3A-14P-2DS	DF3A-14P-2DS	G	14	30	26	.45	.346	.302
798-DF3A-15P-2DS	DF3A-15P-2DS	G	15	32	28	.47	.358	.313