

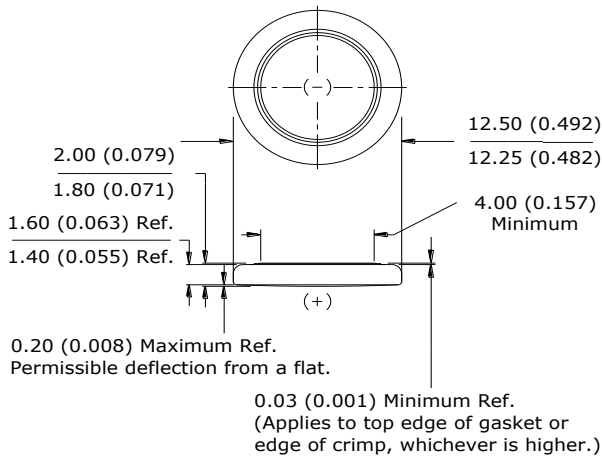
ENERGIZER CR1220

Lithium Coin



Industry Standard Dimensions

mm (inches)



Specifications

Classification:	"Lithium Coin"
Chemical System:	Lithium / Manganese Dioxide (Li/MnO ₂)
Designation:	ANSI-5012LC, IEC-CR1220
Nominal Voltage:	3.0 Volts
Typical Capacity:	45 mAh (to 2.0 volts) (Rated at 62K ohms at 21°C)
Typical Weight:	0.78 grams (0.03 oz.)
Typical Volume:	0.25 cubic centimeters (0.02 cubic inch)
Max Rev Charge:	1 microampere
Energy Density:	153 milliwatt hr/g, 464 milliwatt hr/cc
Typical Li Content:	0.006 grams (0.0002 oz.)
Operating Temp:	-30C to 70C
Self Discharge:	~1% / year

Safety :



1) KEEP OUT OF REACH OF CHILDREN. Swallowing may lead to serious injury or death in as little as 2 hours due to chemical burns and potential perforation of the esophagus. **Immediately see doctor; have doctor phone (202) 625-3333.**

(2) Battery compartment design. To prevent children from removing batteries, battery compartments should be designed with one of the following methods: a) a tool such as screwdriver or coin is required to open battery compartment or b) the battery compartment door/cover requires the application of a minimum of two independent and simultaneous movements of the securing mechanism to open by hand. Screws should remain captive with the battery door or cover.

Simulated Application test

Typical Performance at 21°C (70°F)

Schedule:	Typical Drains: at 2.85V (mA)	Load (ohms)	Cutoff 2.0V (hours)
Continuous	0.046	62,000	974

Internal Resistance Characteristics

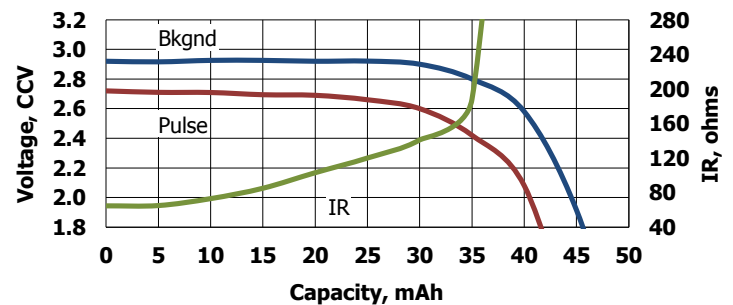
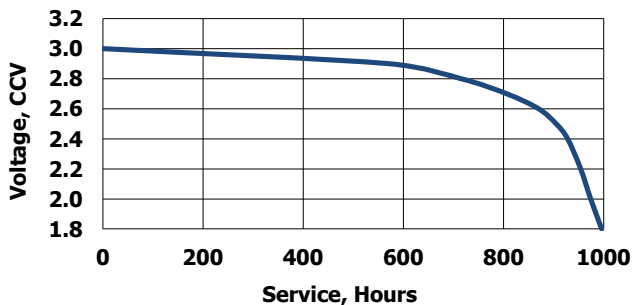
Pulse Test at 21°C (70°F)

Bkgnd Drain: Continuous
62K ohms
0.046 mA @2.85V

Pulse Drain: 2 seconds X 12 times/day
1K ohms
2.8 mA @2.65V

Typical Discharge Characteristics

Load: 62K ohms - Continuous
Typical Drain @ 2.9V: 0.046 mA



Important Notice

This datasheet contains typical information specific to products manufactured at the time of its publication.
©Energizer Holdings, Inc. - Contents herein do not constitute a warranty.